

SensoWash[®] i Plus

安装说明

Mounting instructions

整体式电子坐便器

Integrated shower toilet

620000 0. 2 .. 2320



重要说明



电气安装/水管安装

4

Important information

Electrical installation/water installation

8

zh
en



安装, Installation

12



关于安装说明

本安装说明作为Duravit整体式电子坐便器的一部分随附，并旨在供安装整体式电子坐便器的人士使用。您必须仔细通读安装说明，且保证说明随时可供查阅。

关于信号词与符号的说明

	危险	表示如不可避免将会导致死亡或严重伤害的危险情况。
	警告	表示如不可避免可能会导致死亡或严重伤害的危险情况。
	注意	表示如不可避免可能会导致轻微或中度伤害的危险情况。
	公告	用于表示与身体伤害无关的操作实践。

请参阅章节电气安装

请参阅本章节中的安装说明

请参阅章节水管安装

要求视检（比如检查划痕）

请勿弯曲软管

检查泄漏和密封性

用水冲洗

目标读者和安装人员资格

整体式电子坐便器及相关水管只能由有资质的管道工安装。电气安装只能由有资质的电工进行。

警告 触电风险!

- > 本产品必须接地。本产品未正确接地时，请勿操作。
- > 请勿拆除独立零部件。
- > 请仅将本产品连接至指定电源。
- > 在处理电气部件时，请断开电源。
- > 请勿将整体式电子坐便器安装到湿气过重的房间内。确保空气充分流通，避免电气元件短路。
- > 将整体式电子坐便器从低温环境移入较高温度环境时，请将产品关闭数小时以避免短路。
- > 切勿用湿手触摸电缆。

警告 触电、起火、人员伤害或者产品损坏风险!

- > 请务必遵守低电压指令、所在国家/地区的标准和当地安装规章条例。

警告 起火风险!

- > 确保本产品远离热源。
- > 确保本产品远离诸如蜡烛、香烟之类的易燃物品。

注意 碰撞陶瓷造成的人员伤害或产品损坏风险!

- > 避免直接碰撞陶瓷，因为这可能会导致陶瓷破裂。
- > 严禁将坐便器底座安装在凝胶材料（水泥砂浆）上，以避免由于膨胀导致产品破损。

公告 功能失常或变色风险!

- > 请仅使用安装套装中的部件，避免出现功能失常现象。
- > 请勿使用Duravit未推荐您使用的附件。
- > 请勿将本产品直接暴露在阳光下。

公告 水冻结造成的产品损坏风险!

- > 请勿将整体式电子坐便器安装在有可能结霜的房间内，室温不得低于4 °C (39 °F)。

安装说明

您可以到

www.duravit.cn/mnt_sensowash_i_plus_cn

访问有关整个一体式坐便器的安装视频。



只需使用此 QR 码即可

请确保有足够的地面空间来安装该坐便器，且不会影响卫生间的门的开闭。请确保盖板的开闭不受窗框、置物架及其他卫生间家具的影响。

6 钻孔的防水处理

- > 将防水材料放入钻孔内。

18 拆除右侧板

公告

表面划擦风险!

- > 请勿使用尖头工具拆除侧板。
- > 请用手拆除。

21 拆除左侧板

公告

表面划擦风险!

- > 请勿使用工具拆除侧板。
- > 请用手拆除。

26 移除安装块

- > 请确认进水管和电缆在坐便器内。
- > 提起坐便器。
- > 移除安装块。

27 固定坐便器

- > 放下坐便器时，请勿压到L型固定块和法兰盘边缘。
- > 用力下压坐便器本体，直到产品完全就位。
- > 请勿弯曲软管。

44 安装遥控器支架

- > 从步骤46起，使用螺丝固定。
- > 按照说明至步骤45，使用双面胶进行固定，然后继续步骤50。

53 测试

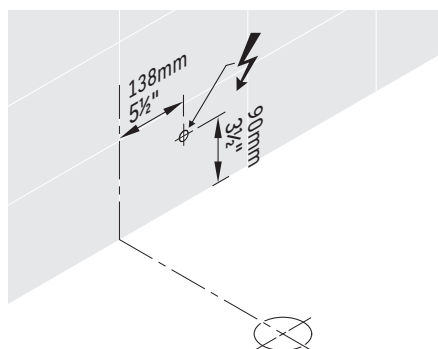
- > 接通电源和水源。
- > 参阅操作说明，确认本产品可以正常运行。



额定电压	220-240V 50-60Hz
额定功率	1080 W
断路器	$I_N = 16 \text{ A}$
漏电保护器 (RCD)	$I_N = 30 \text{ mA}$

防水等级	IP X4
防护等级	I
电缆规格	标称横截面积: 1 – 2.5 mm ² (17 – 14 AWG)

电气连接位置



- 2** 放置安装模板
 - > 放置安装模板。
 - > 检查电缆的位置和长度。电缆长度至少为 500 mm (19 5/8 ")。

- 36** 连接电缆
 - > 从电缆上剥除 10 – 11 mm (3/8 ") 左右的绝缘层。
 - > 将电缆连接到接线端子上。查看 L, N 和 PE 导线。

预安装



危险

电击可导致生命危险

- > 在安装前将电气元件与电源断开。
 - > 检查所有元件是否无电压。
 - > 避免意外接通供电。
 - > 请确保电缆无损坏。
-
- > 安装一条固定供电线路（该线路必须在一条单独的电路中）：
 - 查看电气连接位置
 - 外面至少留出 500 mm (19 5/8 ") 的给电电缆
 - 确认接地电缆比 L 电缆和 N 电缆长 10 mm (3/8 ")
 - > 安装断路器
 - 本产品自身不带漏电保护功能，应安装在有漏电保护器的路线中方可使用
 - 固定布线中必须按布线规则配有触点开距提供在过电压等级 III 条件下全极断开的装置

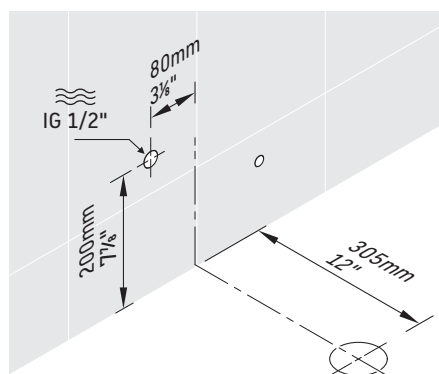


	冷水	DN 15(1/2")
	适合水压	0.07 – 0.75 MPa (10 – 109 psi)
	水的硬度	最大为2.4 mmol/l (240 ppm)

公告 硬质水造成的产品损坏风险!

- > 若水的硬度 ≥ 2.4 mmol/l (≥ 240 ppm), 请安装软水器。

水管连接位置



预安装

- > 在指定区域安装进水管和出水管。

健康风险和可能的产品损坏!



警告

健康风险和可能的产品损坏!

- > 一体式坐便器的供水应从主供水管道连接。
- > 请勿连通任何废水、混水、工业水、海水或其他未处理或半处理的水。

2 放置安装模板

- > 放置安装模板。
- > 确保出水孔和进水管孔的位置与尺寸图和安装模板相对应。
- > 确保标明安装模板中心的线与标明出水孔中心的线是同一条线。

14 准备进水软管连接接头

- > 将生料带缠在进水管接头的一端。

24 连接水管

公告

避免故障!

- > 请使用器具附带的新软管组件, 旧软管组件不能重复利用。

29 打开截止阀

- > 打开主水源。
- > 打开截止阀。
- > 冲洗进水软管并收集水。
- > 关闭主水源。

33 检查是否存在泄漏

- > 打开水源。
- > 检查是否存在泄漏。
- > 关闭水源。



About the mounting instructions

The mounting instructions come as part of the Duravit integrated shower toilet and are aimed at people who install the integrated shower toilet. You must read through the mounting instructions carefully and they must be available at all times.

Explanation of the signal words and symbols

⚠ DANGER Indicates a hazardous situation which, if not avoided, will result in death or serious injury.

⚠ WARNING Indicates a hazardous situation which, if not avoided, could result in death or serious injury.

⚠ CAUTION Indicates a hazardous situation which, if not avoided, could result in minor or moderate injury.

NOTICE Is used to address practices not related to physical injury.

Link to the **Electrical Installation** section

Link to the **installation information** in this section

Link to the **Water Installation** section

Inspection (e.g. for scratches)

Do not kink hose

Check for leaks and leak-tightness

Rinsing

Target readership and qualifications

The integrated shower toilet and associated water connection shall only be installed by qualified plumbers. The electrical installation shall only be carried out by qualified electricians.

⚠ WARNING Risk of electric shock!

- > The product must be earthed. Do NOT operate the product without proper grounding.
- > Do NOT remove individual components.
- > Connect the product only to the specified power supply.
- > When working on electric components, disconnect the power supply.
- > Do NOT install the integrated shower toilet in a room exposed to excessive moisture. Ensure sufficient ventilation to avoid condensation in electric components.
- > When the integrated shower toilet is brought from a cold location to a warm one, leave the unit switched off for a few hours to avoid condensation.
- > NEVER touch the power supply cable with wet hands.

⚠ WARNING Risk of electric shock, fire, injury to persons or product damage!

- > Local installation regulations, country-specific standards and the Low Voltage Directives shall be observed at all times.

⚠ WARNING Risk of fire!

- > Keep product away from hot surfaces.
- > Keep any flammable materials such as candles, cigarettes or similar, away from this product.

⚠ CAUTION Risk of injury and risk of product damage due to impacts to ceramic!

- > Avoid direct impact to ceramic as this may break.
- > It is strictly forbidden to install the toilet base into gel material (cement mortar), so as to avoid product broken as result of expansion.

NOTICE**Risk of malfunctions and color changes!**

- > Only use the parts in the installation kit to avoid malfunctions.
- > Do NOT use attachments not recommended by Duravit.
- > Do NOT expose the product directly to sunlight.

NOTICE**Risk of product damage due to freezing water!**

- > Do NOT install the integrated shower toilet in rooms where there is a danger of frost. The room temperature must not be less than 4 °C (39 °F).

Installation instructions

An installation video of the complete integrated shower toilet is available on www.duravit.cn/mnt_sensowash_i_plus_cn.



Simply use this QR code

Ensure that there is enough floor space to install the toilet and that bathroom door will open and close without obstruction. Ensure that the lid will open and close without obstruction against window frames, shelves and other bathroom furniture.

6 Sealing the screw holes

- > Put sealing material in the screw holes.

18 Removing the right side panel**NOTICE****Risk of scratched surfaces!**

- > Do NOT use pointed tools to remove the panel.
- > Remove the panel by hand.

21 Removing the left side panel**NOTICE****Risk of scratched surfaces!**

- > Do NOT use tools to remove the panel.
- > Remove the panel by hand.

26 Removing the installation blocks

- > Confirm that the water supply hose and power supply cable are inside the toilet.
- > Lift the toilet.
- > Remove the installation blocks.

27 Positioning the toilet

- > Do NOT press the L fixing blocks and flange plate when putting down the toilet.
- > Press down the toilet until the product is in place.
- > Do not kink hose.

44 Positioning the remote control mounting bracket

- > Continue with step 46 for screw mounting.
- > Follow the instructions up to step 45 for mounting with adhesive and then continue with step 50.

53 Testing

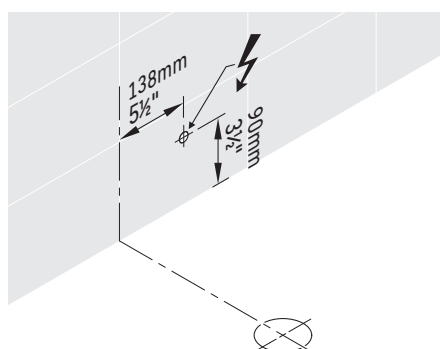
- > Connect the power and water supply.
- > Confirm that the product functions properly according to the operating instructions.



Rated voltage 220-240V 50-60Hz
 Rated power 1080 W
 Circuit breaker $I_N = 16$ A
 RCD $I_N = 30$ mA

Protection degree IP X4
 Protection class I
 Cable specification Cross section
 1 – 2.5 mm²
 (17 – 14 AWG)

Position of electrical connection



- > Install circuit breaker
 - The product itself does not have electrical leakage protection function, it must be installed in circuit where there is leakage protection device installed.
 - Means for disconnection must be incorporated in the fixed wiring in accordance with the wiring rules and having a contact separation in all poles that provide full disconnection under overvoltage category III conditions.

Pre-installation



DANGER Risk of fatal electric shock

- > Disconnect electrical components from the power supply before the installation.
- > Check that all components are de-energised.
- > Prevent the power supply from being switched on accidentally.
- > Ensure that there is no damage to the power supply cable.
- > Lay a permanent power supply line which must be on a separate circuit:
 - Observe the position of the electrical connection
 - Leave at least 500 mm (19 5/8 ") of feed cable exposed
 - Confirm that the grounding wire is 10 mm (3/8 ") longer than the L and N wire

2 Positioning the mounting template

- > Position the mounting template.
- > Check the position and the length of the power supply cable. The power supply cable must be at least 500 mm (19 5/8 ") long.

36 Connecting the cable

- > Remove the insulation from the wires approximately 10 to 11 mm (3/8 ").
- > Connect the 3 wires to the terminal block. Observe the L, N and PE conductors.

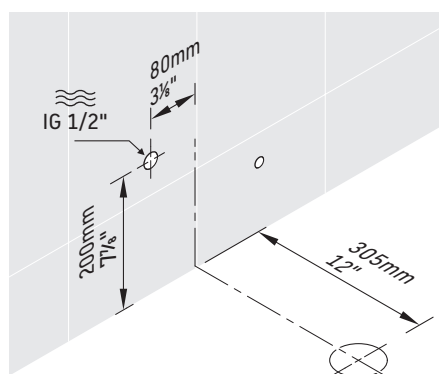


	Cold water	DN 15(½")
	Water pressure	0.07 – 0.75 MPa (10 – 109 psi)
	Water hardness	max. 2.4 mmol/l (240 ppm)

NOTICE Risk of product damage due to hard water.

- > Install a water softener with water hardness ≥ 2.4 mmol/l (≥ 240 ppm).

Position of water connection



Pre-installation

- > Install the water connection and water outlet in the specified areas.

WARNING Health risk and potential product damage!

- > Supply the integrated shower toilet with tap water from the main water system.
- > Do not connect any waste water, grey water, industrial water, sea water or other untreated or semi-treated water.

2 Positioning the mounting template

- > Position the mounting template.
- > Ensure that the position of the drainage hole, the inlet water supply pipe hole correspond to the dimensional drawing and the mounting template.
- > Ensure that the line designating the center of the mounting template is the same line designating the center of the drainage hole.

14 Preparing the inlet hose adaptor

- > Put watertight material around one end of the inlet hose adaptor.

24 Connecting water

NOTICE Avoiding any malfunctions!

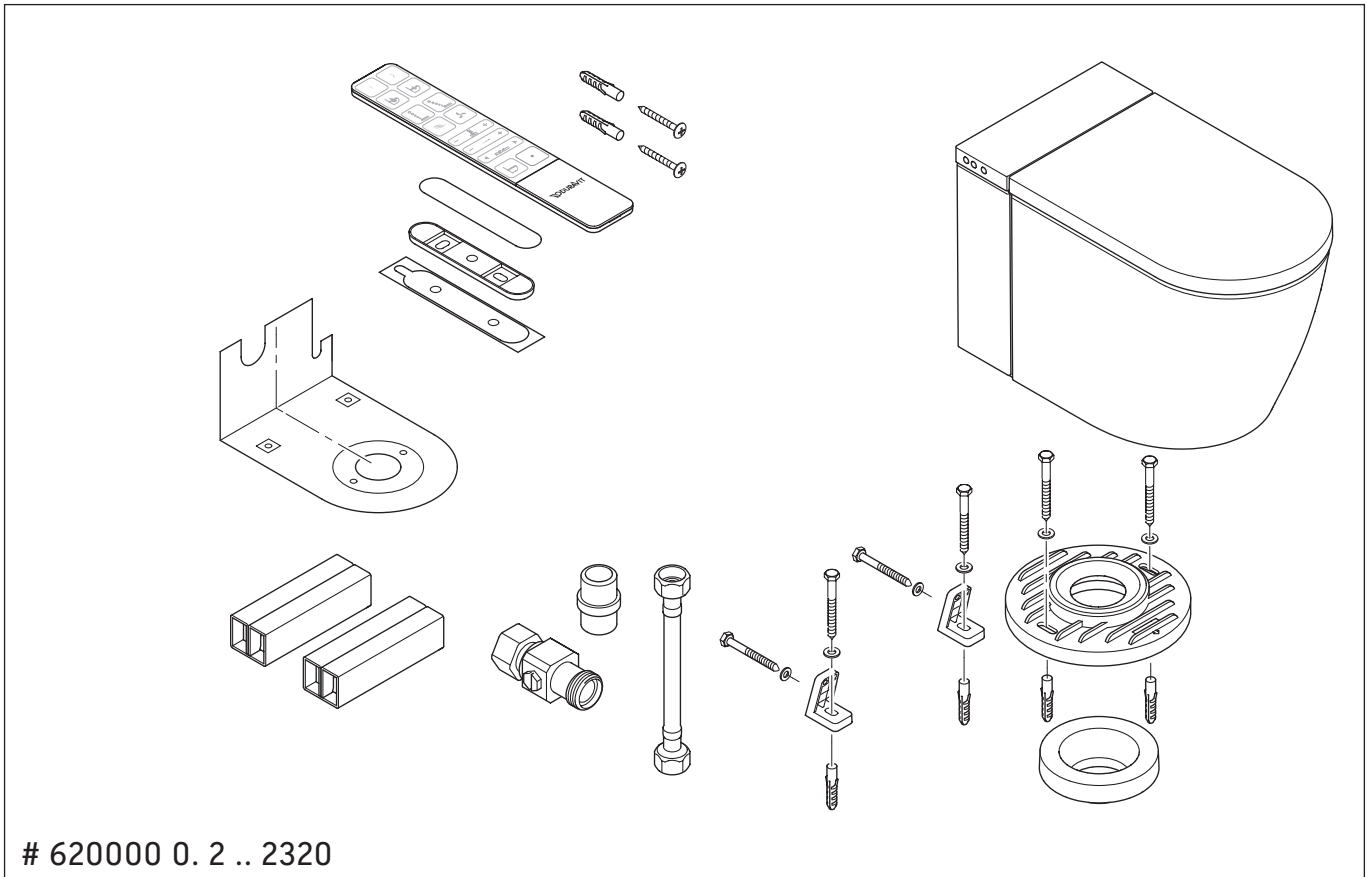
- > The new hose-sets supplied with the appliance are to be used and old hose-sets should not be reused.

29 Opening the stop valve

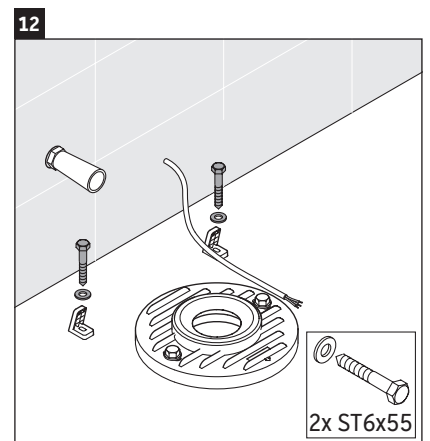
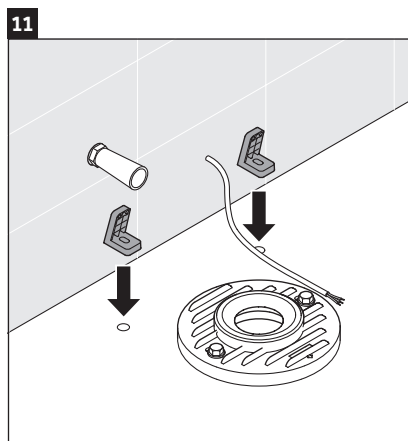
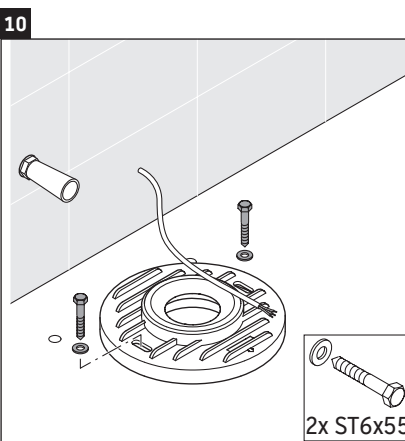
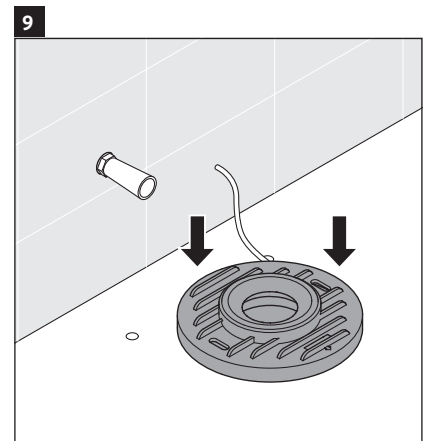
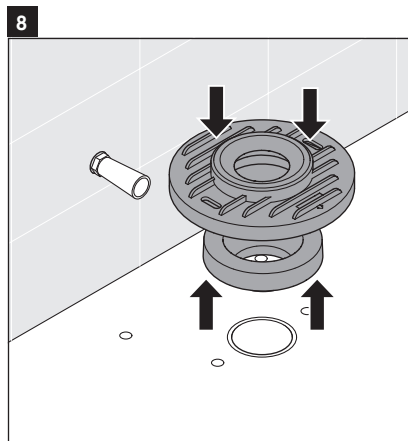
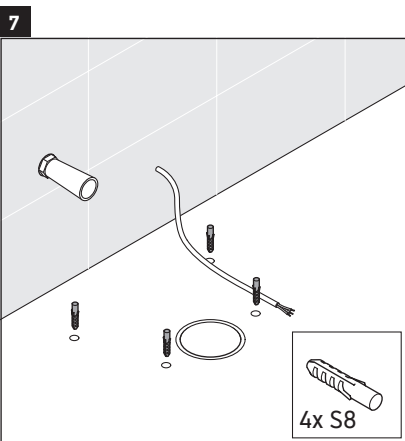
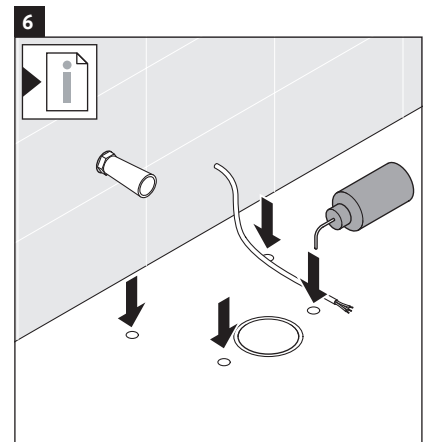
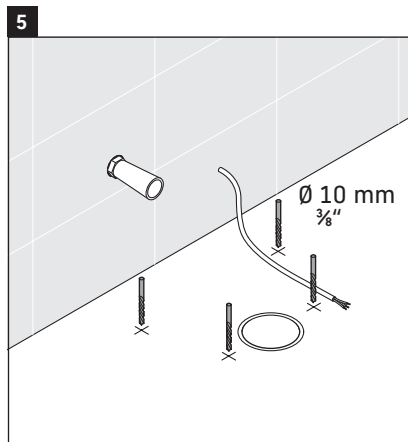
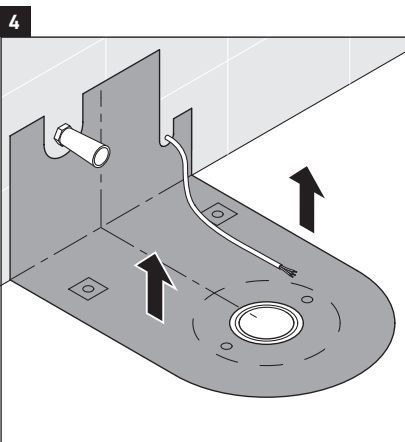
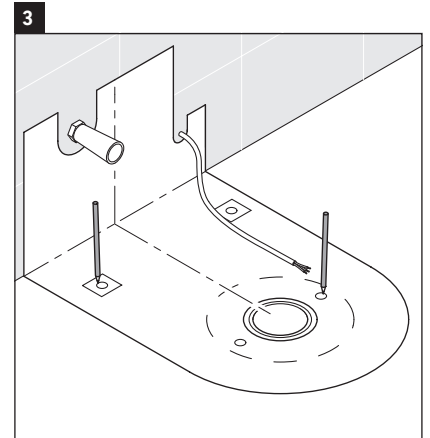
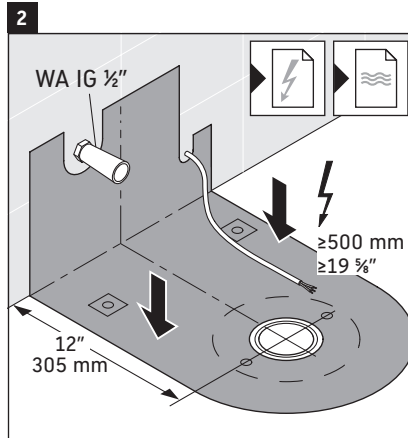
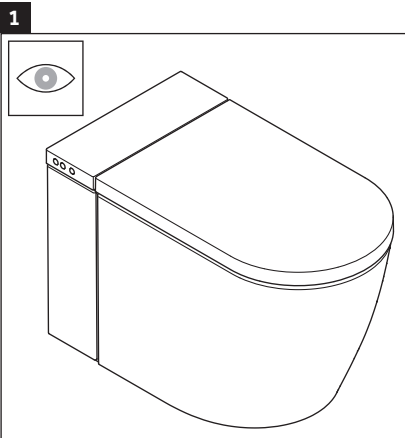
- > Open the main water supply.
- > Open the stop valve.
- > Flush the water supply hose and collect water.
- > Close the main water supply.

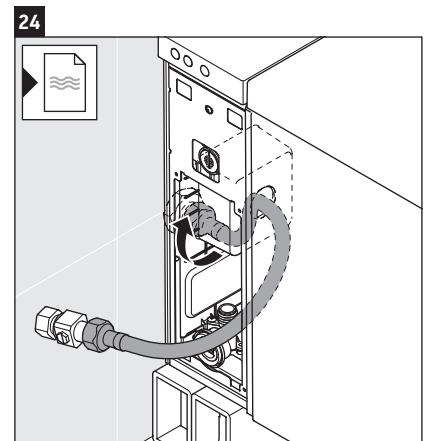
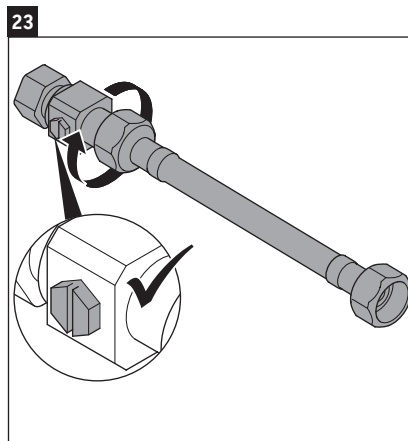
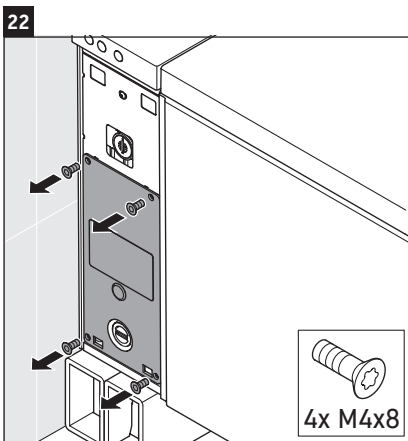
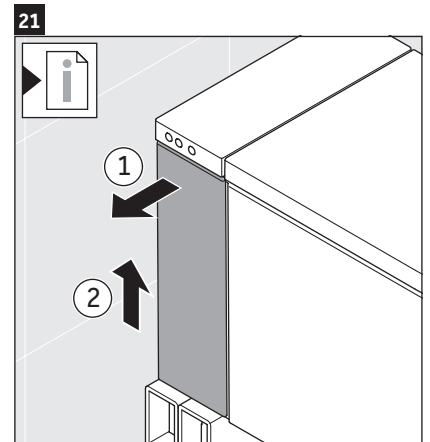
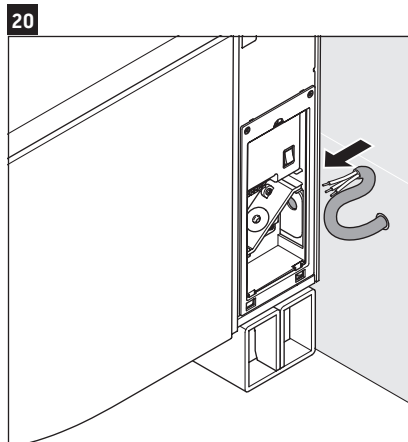
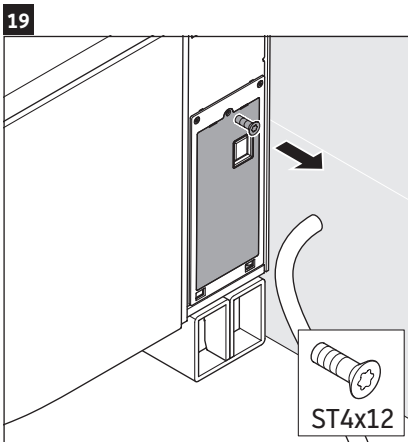
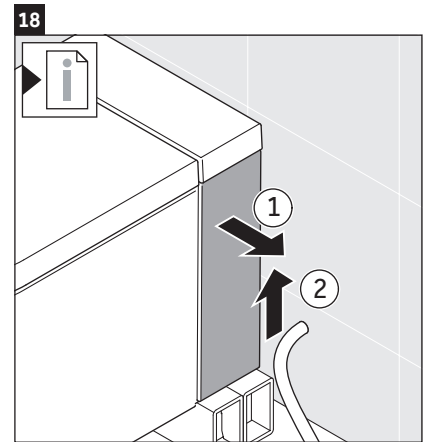
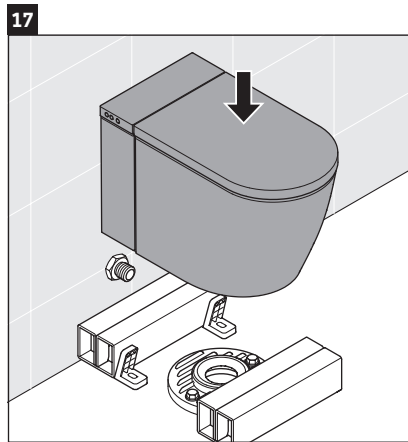
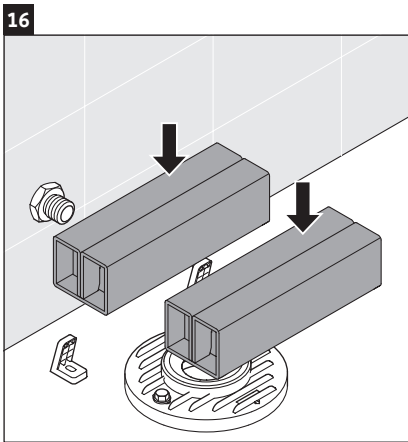
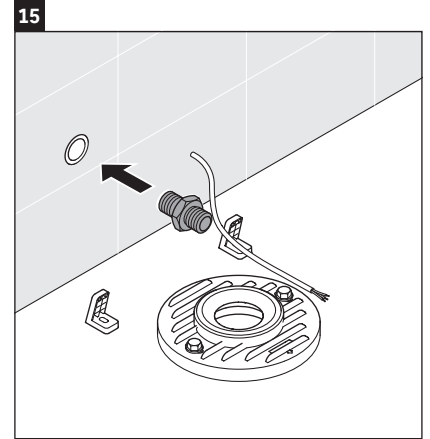
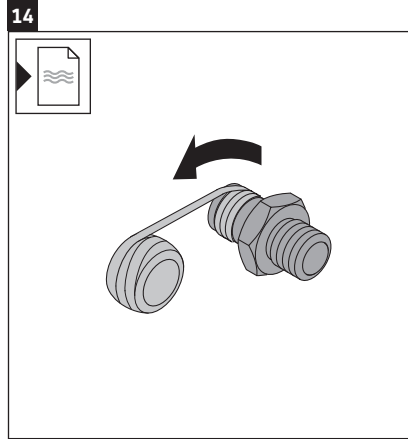
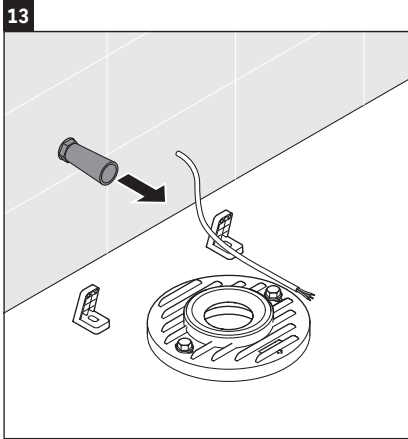
33 Checking for leaks

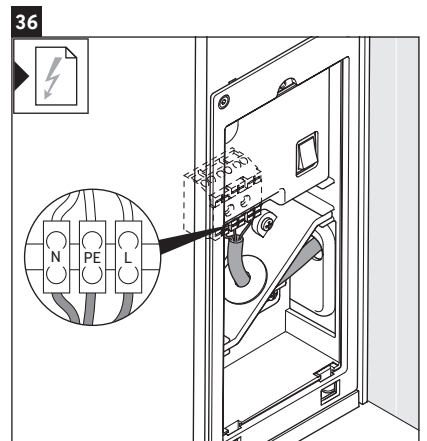
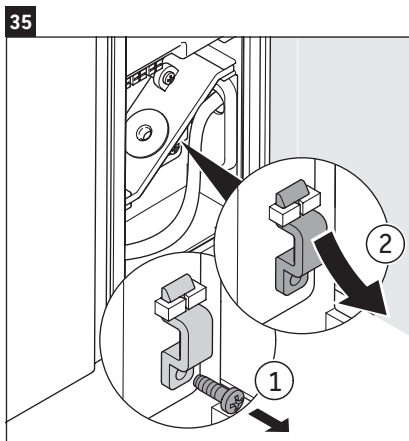
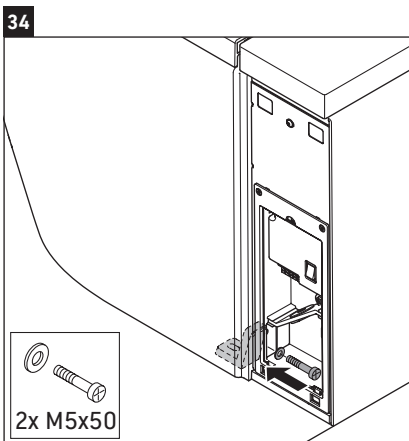
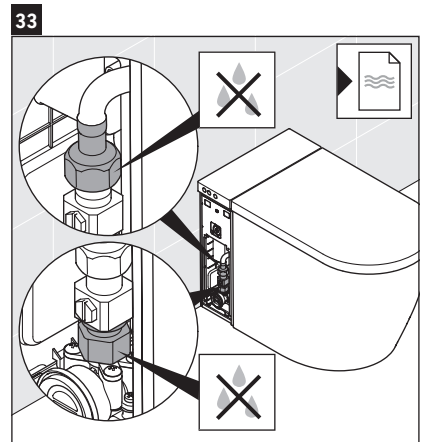
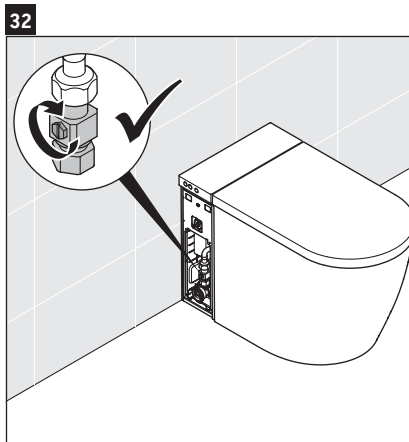
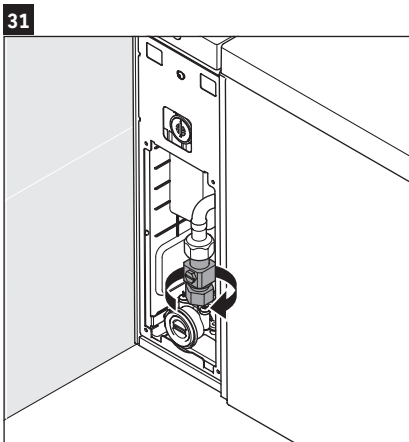
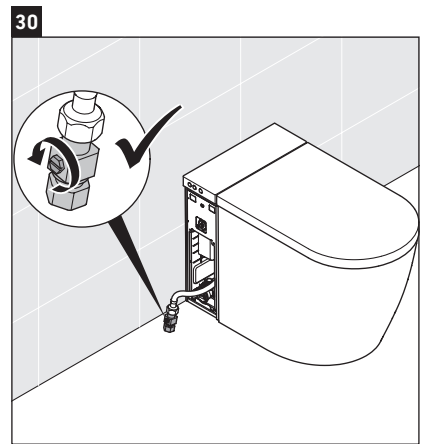
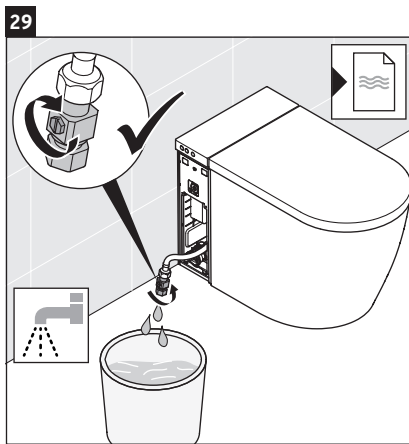
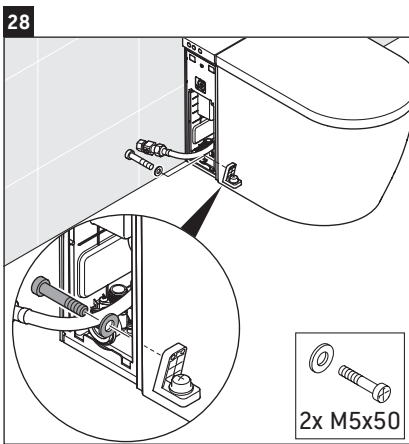
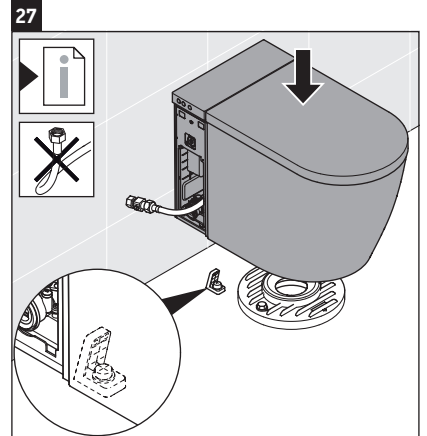
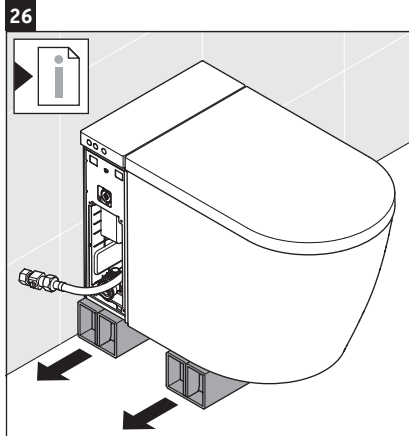
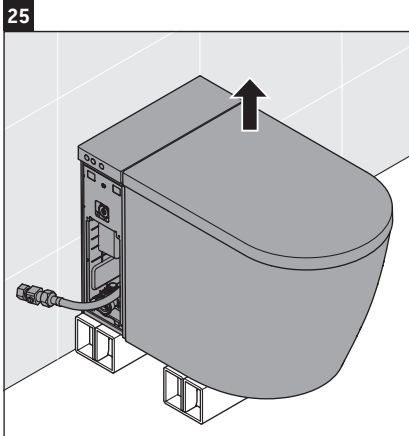
- > Open the water supply.
- > Check if there is any water leakage.
- > Close the water supply.

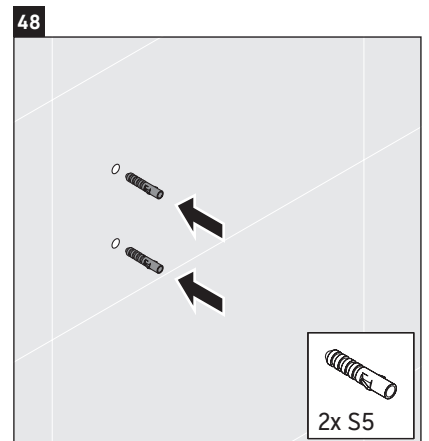
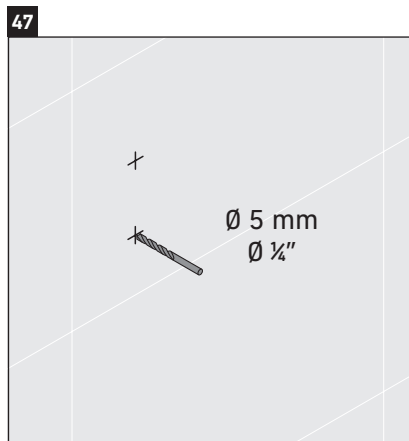
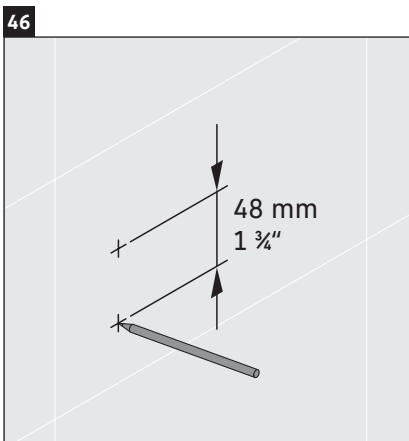
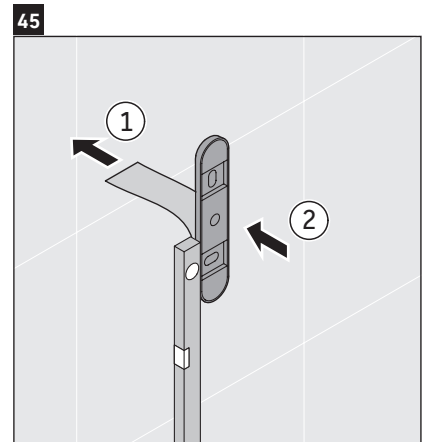
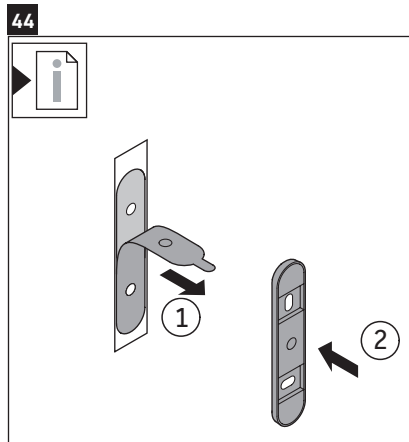
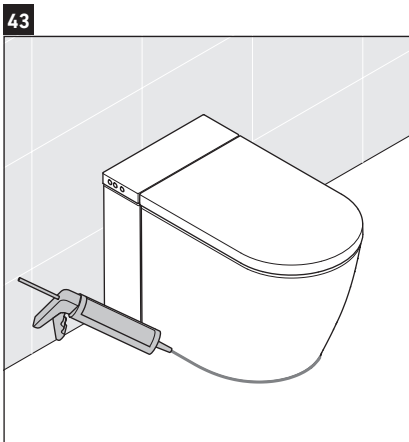
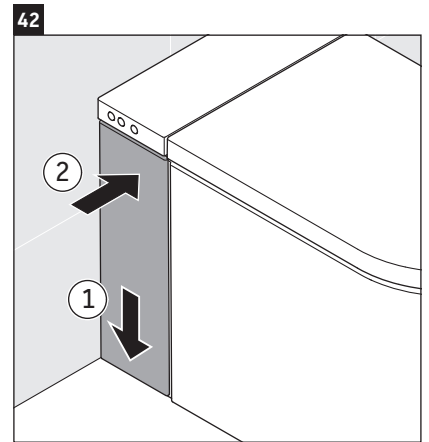
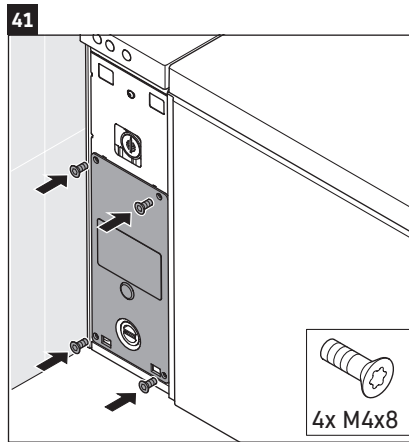
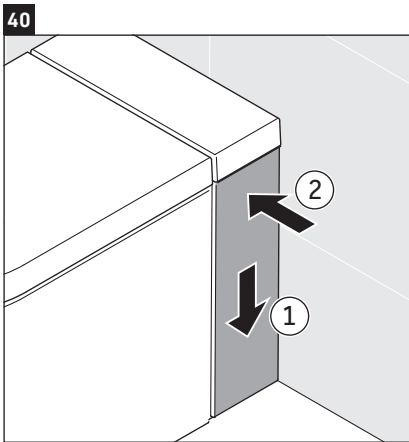
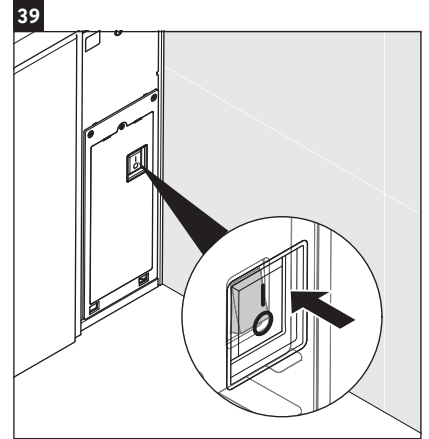
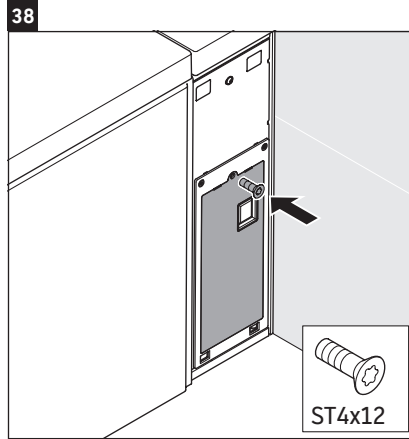
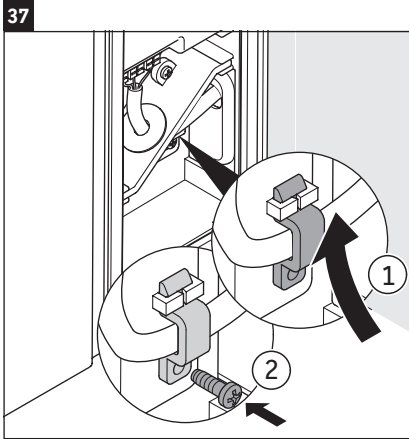


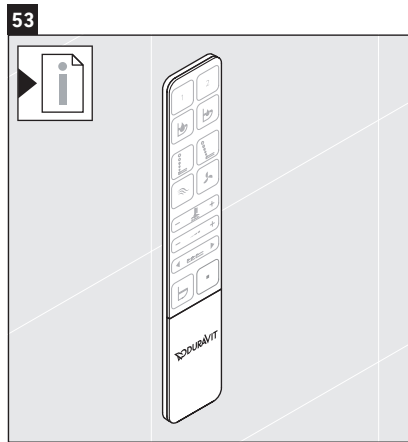
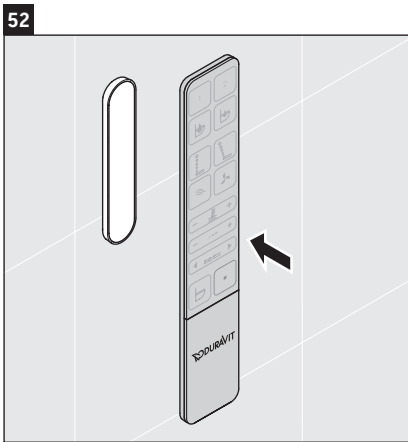
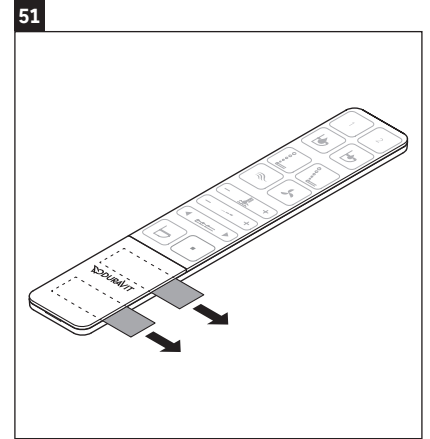
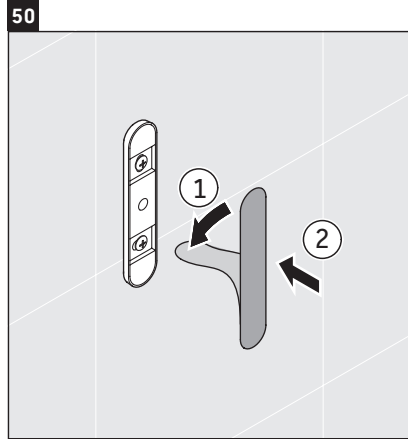
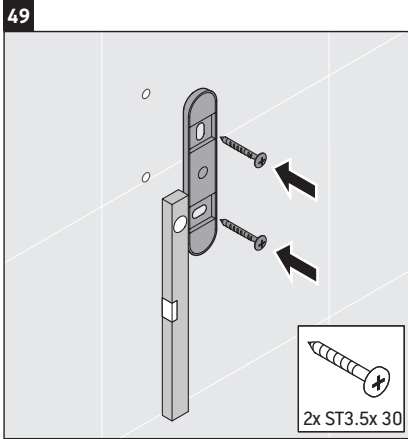
620000 0. 2 .. 2320











DURAVIT AG
P.O. Box 240
Werderstr. 36
78132 Hornberg
Germany
Phone +49 78 33 70 0
Fax +49 78 33 70 289
info@duravit.com
www.duravit.com

杜拉维特（中国）洁具有限公司
重庆市江津区珞璜工业园B区园区大道88号
客服电话 +86 21 61542410
周一至周五 9:00-12:00; 13:00-17:00
info@cn.duravit.com
www.duravit.cn
www.sensowash.cn

